

General Purpose Solenoid Valve

Brass Body | 2-Way Semi-Direct Acting | 3/8" to 2"



Features

- Provides on/off control of inert liquids and gases
- Fast-acting response time
- Gravity feed capable; ideal for low pressure fluid
- Can be mounted vertically or horizontally
- Durable construction suited for a wide range of compatible media including water and air
- Suitable for commercial and residential applications

Materials of Construction

Valve Parts	Material
Body	Brass
Components	Stainless Steel
Seal	Viton® Diaphragm
Shading Ring	Copper

Consult a chemical compatibility expert for correct seal and valve body material choice

Electrical Data

Pipe Size (in)	Power Rating (Holding)				Coil Connection		Protection Class	
	AC, 60 Hz VA		DC Watts		NC	NO	NC	NO
	24V	110V	12V	24V				
3/8	19	15	16	28	Lead Wires	DIN 43650B	NEMA 3	NEMA 4/IP65
1/2	19	15	16	28				
3/4	19	15	16	28				
1	19	15	16	28				
1 1/4	(2)	35	21	30				
1 1/2	23	35	21	30	(3)	DIN 43650A	(4)	
2	23	35	21	30				

- (1) Normally Open valve type is not available for 3/8" size
- (2) 24V AC coil is not available for 1 1/4" size
- (3) Lead Wires for 12V DC, 24V DC, and 110V AC; DIN 43650A for 24V AC
- (4) NEMA 3 for 12V DC, 24V DC, and 110V AC; NEMA 4/IP 65 for 24V AC
- (5) NC - Normally Closed; NO - Normally Open
- (6) Valves are suitable for continuous energization (100% duty cycle) within rated voltage and ambient temperature limits
- (7) AC power ratings shown represent steady state (Holding) VA at rated voltage, 50/60 Hz, and 40 °C ambient temperature.
- (8) Electrical values are nominal with a tolerance of ±10 % unless otherwise specified

Industrial Applications

- Washing Machine
- Humidifiers
- Water Sprinkler System
- Industrial Water Control
- Air Compressors and Pneumatic Systems
- Water Treatment and Filtration Equipment
- Process Water Distribution
- Fluid Dispensing and Dosing System

*These are not intended for use in medical life support, combustion, aviation, aerospace, automotive or similar applications.

Approvals

- CE certified for EMC Compliance. Meets EN 61000-6-3:2007 + A1:2011 and EN 61000-6-1:2007
- RoHS compliant in accordance with Directive 2011/65/EU

Specifications

Pipe Connection		Orifice (mm)	Flow Coefficient Value Cv	Operating Pressure (psi)						Operating Temperature (°F)	
				Water			Air				
				Size (in)	Thread Connection	Min	AC	DC	Min	AC	DC
NORMALLY CLOSED (NC)											
3/8	NPT - Female	15	3.5	0	145	115	7	145	115	15	250
1/2	NPT - Female	15	3.5	0	145	115	7	145	115	15	250
3/4	NPT - Female	20	7.6	0	145	115	7	145	115	15	250
1	NPT - Female	25	12.0	0	145	115	7	145	115	15	250
1 1/4	NPT - Female	32	24.0	0	145	90	7	145	90	15	250
1 1/2	NPT - Female	40	29.0	0	145	90	7	145	90	15	250
2	NPT - Female	50	48.0	0	145	90	7	145	90	15	250
NORMALLY OPEN (NO)											
1/2	NPT - Female	15	3.5	0	90	90	7	90	90	15	250
3/4	NPT - Female	20	7.6	0	90	90	7	90	90	15	250
1	NPT - Female	25	12.0	0	90	90	7	90	90	15	250
1 1/4	NPT - Female	32	24.0	0	90	90	7	90	90	15	250
1 1/2	NPT - Female	40	29.0	0	90	90	7	90	90	15	250
2	NPT - Female	50	48.0	0	90	90	7	90	90	15	250

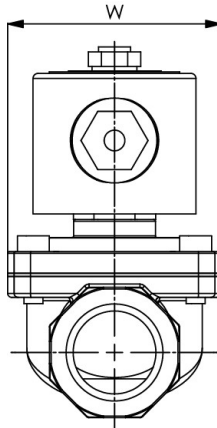
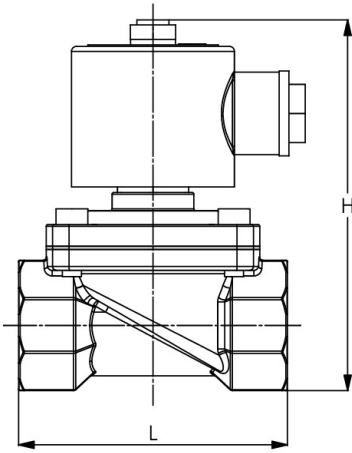
*For water service, the valve operates in direct-acting mode, allowing operation from 0 psi differential pressure

**For air service, the valve operates in a semi-direct acting mode, requiring a minimum differential pressure of 7 psi for reliable operation.

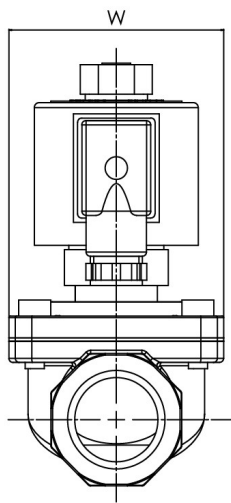
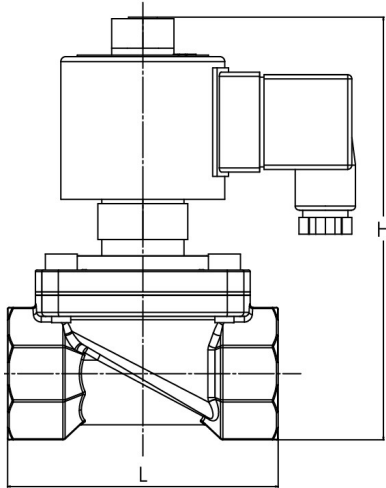
General Purpose Solenoid Valve

Brass Body | 2-Way Semi-Direct Acting | 3/8" to 2"

Normally Closed (NC) Configuration



Normally Open (NO) Configuration



Dimension

Pipe Size (in)	Dimension (in)			Weight (lb)
	H	L	W	
NORMALLY CLOSED (NC)				
3/8	4.00	2.36	2.00	1.56
1/2	4.00	2.36	1.95	1.56
3/4	4.25	2.65	2.00	1.63
1	4.50	3.25	2.60	2.44
1 1/4	5.80	4.00	3.25	4.44
1 1/2	6.00	4.33	3.35	4.88
2	6.50	5.30	4.25	6.81
NORMALLY OPEN (NO)				
1/2	4.30	2.36	1.95	1.63
3/4	4.70	2.65	2.00	1.75
1	5.00	3.20	2.60	2.88
1 1/4	5.80	4.00	3.25	4.88
1 1/2	6.60	4.50	3.25	5.50
2	7.15	5.30	4.25	7.25

- (1) Weight and dimension may vary slightly from production
- (2) Dimension shown are nominal and provided for reference only
- (3) Dimension tolerance: ± 5% unless otherwise specified
- (4) H = Overall Height, L = Port to Port Length, W = Overall Width

Product Ordering Code

B	ZW	-	15	K	-	110V	AC																																										
VALVE BODY MATERIAL <table border="1" style="width: 100%; border-collapse: collapse;"> <thead> <tr> <th>CODE</th> <th>DESCRIPTION</th> </tr> </thead> <tbody> <tr> <td>B</td> <td>BRASS</td> </tr> </tbody> </table>		CODE	DESCRIPTION	B	BRASS	PIPE SIZE <table border="1" style="width: 100%; border-collapse: collapse;"> <thead> <tr> <th>CODE</th> <th>DESCRIPTION</th> </tr> </thead> <tbody> <tr> <td>10</td> <td>3/8" (DN10)</td> </tr> <tr> <td>15</td> <td>1/2" (DN15)</td> </tr> <tr> <td>20</td> <td>3/4" (DN20)</td> </tr> <tr> <td>25</td> <td>1" (DN25)</td> </tr> <tr> <td>32</td> <td>1 1/4" (DN32)</td> </tr> <tr> <td>40</td> <td>1 1/2" (DN40)</td> </tr> <tr> <td>50</td> <td>2" (DN50)</td> </tr> </tbody> </table>		CODE	DESCRIPTION	10	3/8" (DN10)	15	1/2" (DN15)	20	3/4" (DN20)	25	1" (DN25)	32	1 1/4" (DN32)	40	1 1/2" (DN40)	50	2" (DN50)	VALVE TYPE <table border="1" style="width: 100%; border-collapse: collapse;"> <thead> <tr> <th>CODE</th> <th>DESCRIPTION</th> </tr> </thead> <tbody> <tr> <td>K</td> <td>NORMALLY OPEN (NO)</td> </tr> <tr> <td>(BLANK)</td> <td>NORMALLY CLOSED (NC)</td> </tr> </tbody> </table>		CODE	DESCRIPTION	K	NORMALLY OPEN (NO)	(BLANK)	NORMALLY CLOSED (NC)	VOLTAGE USED <table border="1" style="width: 100%; border-collapse: collapse;"> <thead> <tr> <th>CODE</th> <th>DESCRIPTION</th> </tr> </thead> <tbody> <tr> <td>12V</td> <td>12V</td> </tr> <tr> <td>24V</td> <td>24V</td> </tr> <tr> <td>110V</td> <td>110V</td> </tr> </tbody> </table>		CODE	DESCRIPTION	12V	12V	24V	24V	110V	110V	TYPE OF CURRENT <table border="1" style="width: 100%; border-collapse: collapse;"> <thead> <tr> <th>CODE</th> <th>DESCRIPTION</th> </tr> </thead> <tbody> <tr> <td>AC</td> <td>ALTERNATING CURRENT</td> </tr> <tr> <td>DC</td> <td>DIRECT CURRENT</td> </tr> </tbody> </table>		CODE	DESCRIPTION	AC	ALTERNATING CURRENT	DC	DIRECT CURRENT
CODE	DESCRIPTION																																																
B	BRASS																																																
CODE	DESCRIPTION																																																
10	3/8" (DN10)																																																
15	1/2" (DN15)																																																
20	3/4" (DN20)																																																
25	1" (DN25)																																																
32	1 1/4" (DN32)																																																
40	1 1/2" (DN40)																																																
50	2" (DN50)																																																
CODE	DESCRIPTION																																																
K	NORMALLY OPEN (NO)																																																
(BLANK)	NORMALLY CLOSED (NC)																																																
CODE	DESCRIPTION																																																
12V	12V																																																
24V	24V																																																
110V	110V																																																
CODE	DESCRIPTION																																																
AC	ALTERNATING CURRENT																																																
DC	DIRECT CURRENT																																																
VALVE SERIES <table border="1" style="width: 100%; border-collapse: collapse;"> <thead> <tr> <th>CODE</th> <th>DESCRIPTION</th> </tr> </thead> <tbody> <tr> <td>ZW</td> <td>ZW SERIES</td> </tr> </tbody> </table>		CODE	DESCRIPTION	ZW	ZW SERIES																																												
CODE	DESCRIPTION																																																
ZW	ZW SERIES																																																

EXAMPLE:

BZW-15K-110VAC indicates a brass body ZW series valve, 1/2" NPT-Female, normally open configuration with 110V AC coil