

# General Purpose Solenoid Valve

Stainless Steel Body | 2-Way Semi-Direct Acting | 1/2" to 2 1/2"



## Features

- Provides on/off control of inert liquids and gases
- Fast-acting response time
- Gravity feed capable; ideal for low pressure fluid
- Can be mounted vertically or horizontally
- Durable construction suited for a wide range of compatible media including water and air
- Suitable for commercial and residential applications

## Materials of Construction

Valve Parts	Material
Body	Stainless Steel
Components	Stainless Steel
Seal	Viton® Diaphragm
Shading Ring	Copper

Consult a chemical compatibility expert for correct seal and valve body material choice

## Electrical Data

Pipe Size (in)	Power Rating (Holding)				Coil Connection		Protection Class	
	AC, 60 Hz VA		DC Watts		NC	NO	NC	NO
	24V	110V	12V	24V				
1/2	19	15	16	28	Lead Wires	DIN 43650B	NEMA 3	NEMA 4 / IP 65
3/4	19	15	16	28				
1	19	15	16	28				
1 1/2	23	35	21	30	(2)	DIN 43650A	(3)	
2	23	35	21	30				
2 1/2 (7)	-	-	-	38	-	-	-	

- (1) NC - Normally Closed; NO - Normally Open
- (2) Lead Wires for 12V DC, 24V DC, and 110V AC; DIN 43650A for 24V AC
- (3) NEMA 3 for 12V DC, 24V DC, and 110V AC; NEMA 4/IP 65 for 24V AC
- (4) Valves are suitable for continuous energization (100% duty cycle) within rated voltage and ambient temperature limits
- (5) AC power ratings shown represent steady state (Holding) VA at rated voltage, 50/60 Hz, and 40 °C (104 °F) ambient temperature.
- (6) Electrical values are nominal with a tolerance of ±10 % unless otherwise specified
- (7) Special-order variant. Please contact Atlantic Valves for ordering details.

## Industrial Applications

- Washing Machine
- Humidifiers
- Water Sprinkler System
- Industrial Water Control
- Air Compressors and Pneumatic Systems
- Water Treatment and Filtration Equipment
- Process Water Distribution
- Fluid Dispensing and Dosing System

\*These are not intended for use in medical life support, combustion, aviation, aerospace, automotive or similar applications.

## Approvals

- CE certified for EMC Compliance. Meets EN 61000-6-3:2007 + A1:2011 and EN 61000-6-1:2007
- RoHS compliant in accordance with Directive 2011/65/EU

## Specifications

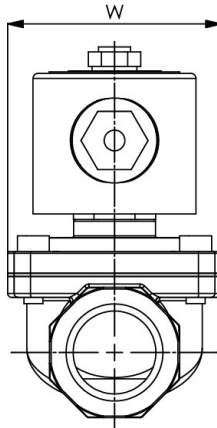
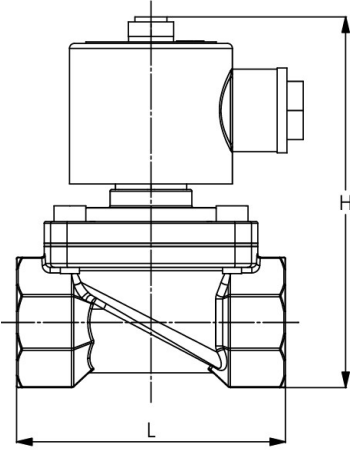
Pipe Connection		Orifice (mm)	Flow Coefficient Value Cv	Flow Rate GPM @60 PSI	Operating Pressure (psi)						Operating Temperature (°F)	
					Water			Air				
					Size (in)	Thread Connection	Min	Max		Min	Max	
<b>NORMALLY CLOSED (NC)</b>												
1/2	NPT - Female	15	3.5	27	0	145	115	7	145	115	15	250
3/4	NPT - Female	20	7.6	58	0	145	115	7	145	115	15	250
1	NPT - Female	25	12.0	92	0	145	115	7	145	115	15	250
1 1/2	NPT - Female	40	29.0	220	0	145	90	7	145	90	15	250
2	NPT - Female	50	48.0	370	0	145	90	7	145	90	15	250
<b>NORMALLY OPEN (NO)</b>												
1/2	NPT - Female	15	3.5	27	0	90	90	7	90	90	15	250
3/4	NPT - Female	20	7.6	58	0	90	90	7	90	90	15	250
1	NPT - Female	25	12.0	92	0	90	90	7	90	90	15	250
1 1/2	NPT - Female	40	29.0	220	0	90	90	7	90	90	15	250
2	NPT - Female	50	48.0	370	0	90	90	7	90	90	15	250
2 1/2 ...	NPT - Female	60	50.0	387	0	-	72.5	7	-	72.5	15	250

\*For water service, the valve operates in direct-acting mode, allowing operation from 0 psi differential pressure  
 \*\*For air service, the valve operates in a semi-direct acting mode, requiring a minimum differential pressure of 7 psi for reliable operation.  
 \*\*\*Special-order variant. Please contact Atlantic Valves for ordering details.

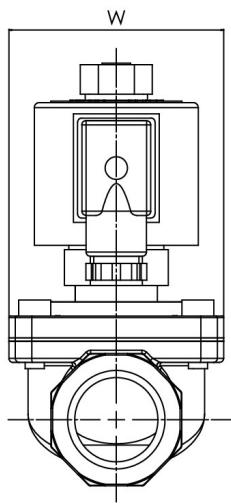
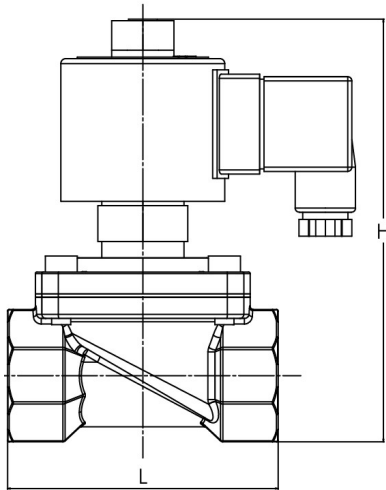
# General Purpose Solenoid Valve

Stainless Steel Body | 2-Way Semi-Direct Acting | 1/2" to 2 1/2"

## Normally Closed (NC) Configuration



## Normally Open (NO) Configuration



## Dimension

Pipe Size (in)	Dimension (in)			Weight (lb)
	H	L	W	
<b>NORMALLY CLOSED (NC)</b>				
1/2	4.00	2.36	1.80	1.38
3/4	4.25	2.65	2.00	1.38
1	4.50	3.25	2.60	2.19
1 1/2	6.00	4.33	3.35	4.44
2	6.50	5.30	4.25	6.19
<b>NORMALLY OPEN (NO)</b>				
1/2	4.30	2.36	1.80	1.56
3/4	4.70	2.65	2.00	1.63
1	5.00	3.25	2.60	2.44
1 1/2	6.60	4.50	3.35	5.06
2	7.15	5.30	4.25	6.81
2 1/2 <sup>(5)</sup>	8.50	6.25	4.40	9.26

- (1) Weight and dimension may vary slightly from production
- (2) Dimension shown are nominal and provided for reference only
- (3) Dimension tolerance: ± 5% unless otherwise specified
- (4) H = Overall Height, L = Port to Port Length, W = Overall Width
- (5) Special-order variant. Please contact Atlantic Valves for ordering details.

## Product Ordering Code

<b>S</b>	<b>ZW</b>	<b>-</b>	<b>15</b>	<b>K</b>	<b>-</b>	<b>110V</b>	<b>AC</b>																																
<b>VALVE BODY MATERIAL</b> <table border="1" style="width: 100%; border-collapse: collapse;"> <thead> <tr> <th>CODE</th> <th>DESCRIPTION</th> </tr> </thead> <tbody> <tr> <td>S</td> <td>STAINLESS STEEL</td> </tr> </tbody> </table>		CODE	DESCRIPTION	S	STAINLESS STEEL	<b>PIPE SIZE</b> <table border="1" style="width: 100%; border-collapse: collapse;"> <thead> <tr> <th>CODE</th> <th>DESCRIPTION</th> </tr> </thead> <tbody> <tr> <td>15</td> <td>1/2" (DN15)</td> </tr> <tr> <td>20</td> <td>3/4" (DN20)</td> </tr> <tr> <td>25</td> <td>1" (DN25)</td> </tr> <tr> <td>40</td> <td>1 1/2" (DN40)</td> </tr> <tr> <td>50</td> <td>2" (DN50)</td> </tr> <tr> <td>60</td> <td>2 1/2" (DN60)</td> </tr> </tbody> </table>		CODE	DESCRIPTION	15	1/2" (DN15)	20	3/4" (DN20)	25	1" (DN25)	40	1 1/2" (DN40)	50	2" (DN50)	60	2 1/2" (DN60)	<b>VOLTAGE USED</b> <table border="1" style="width: 100%; border-collapse: collapse;"> <thead> <tr> <th>CODE</th> <th>DESCRIPTION</th> </tr> </thead> <tbody> <tr> <td>12V</td> <td>12V</td> </tr> <tr> <td>24V</td> <td>24V</td> </tr> <tr> <td>110V</td> <td>110V</td> </tr> </tbody> </table>		CODE	DESCRIPTION	12V	12V	24V	24V	110V	110V	<b>TYPE OF CURRENT</b> <table border="1" style="width: 100%; border-collapse: collapse;"> <thead> <tr> <th>CODE</th> <th>DESCRIPTION</th> </tr> </thead> <tbody> <tr> <td>AC</td> <td>ALTERNATING CURRENT</td> </tr> <tr> <td>DC</td> <td>DIRECT CURRENT</td> </tr> </tbody> </table>		CODE	DESCRIPTION	AC	ALTERNATING CURRENT	DC	DIRECT CURRENT
CODE	DESCRIPTION																																						
S	STAINLESS STEEL																																						
CODE	DESCRIPTION																																						
15	1/2" (DN15)																																						
20	3/4" (DN20)																																						
25	1" (DN25)																																						
40	1 1/2" (DN40)																																						
50	2" (DN50)																																						
60	2 1/2" (DN60)																																						
CODE	DESCRIPTION																																						
12V	12V																																						
24V	24V																																						
110V	110V																																						
CODE	DESCRIPTION																																						
AC	ALTERNATING CURRENT																																						
DC	DIRECT CURRENT																																						
<b>VALVE SERIES</b> <table border="1" style="width: 100%; border-collapse: collapse;"> <thead> <tr> <th>CODE</th> <th>DESCRIPTION</th> </tr> </thead> <tbody> <tr> <td>ZW</td> <td>ZW SERIES</td> </tr> </tbody> </table>		CODE	DESCRIPTION	ZW	ZW SERIES	<b>VALVE TYPE</b> <table border="1" style="width: 100%; border-collapse: collapse;"> <thead> <tr> <th>CODE</th> <th>DESCRIPTION</th> </tr> </thead> <tbody> <tr> <td>K</td> <td>NORMALLY OPEN (NO)</td> </tr> <tr> <td>(BLANK)</td> <td>NORMALLY CLOSED (NC)</td> </tr> </tbody> </table>		CODE	DESCRIPTION	K	NORMALLY OPEN (NO)	(BLANK)	NORMALLY CLOSED (NC)																										
CODE	DESCRIPTION																																						
ZW	ZW SERIES																																						
CODE	DESCRIPTION																																						
K	NORMALLY OPEN (NO)																																						
(BLANK)	NORMALLY CLOSED (NC)																																						

**EXAMPLE:**  
**SZW-15K-110VAC** indicates a stainless steel body ZW series valve, 1/2" NPT-Female, normally open configuration with 110V AC coil