

# Y (Wye) Strainer

Unidirectional | NPT Thread | 1/2" to 2"



## Industrial Applications

- Water and Wastewater Systems Including Raw Water and Treated Water Distribution
- HVAC Systems Including Chilled Water and Hot Water Circulation Lines
- Compressed Air Systems Used for Instrument Air and Pneumatic Equipment
- General Process Industries Involving Chemical, Food, and Industrial Fluid Handling
- Irrigation and Agricultural Systems for Drip Lines and Valve Protection
- Steam and Condensate Systems Supporting Traps, Valves, and Heat Exchangers
- Fire Protection Systems Including Sprinkler and Deluge Lines
- Marine and Shipbuilding Systems Such as Seawater Cooling and Ballast Lines
- Mining Operations for Removal of Coarse Particulates in Process Lines
- Power Generation Facilities Supporting Cooling Water and Auxiliary Systems

\*These are not intended for use in medical life support, combustion, aviation, aerospace, automotive or similar applications.

## Features

- 304 stainless steel body, cap, and mesh screen
- Unidirectional flow design
- PTFE end seal for chemical resistance and temperature stability
- Removable and reusable mesh element for cleaning and maintenance
- Blow-out kit option allows quick discharge of debris without removing the cap
- Standard 80 mesh (177 microns) filtration; optional 50 and 150 mesh screens available
- Inline configuration for compact installation
- Designed for downward screen installation to trap debris effectively
- Female threaded end connection: NPT (ANSI B1.20.1)

## Approvals and Compliance

- PED 2014/68/EU
- Casting Approved AD2000-W0
- Inspection Testing: API 598, EN12266-1

## Materials of Construction

Valve Parts	Material
<b>Body</b>	SS304
<b>Mesh Screen</b>	SS304
<b>End Seal</b>	PTFE

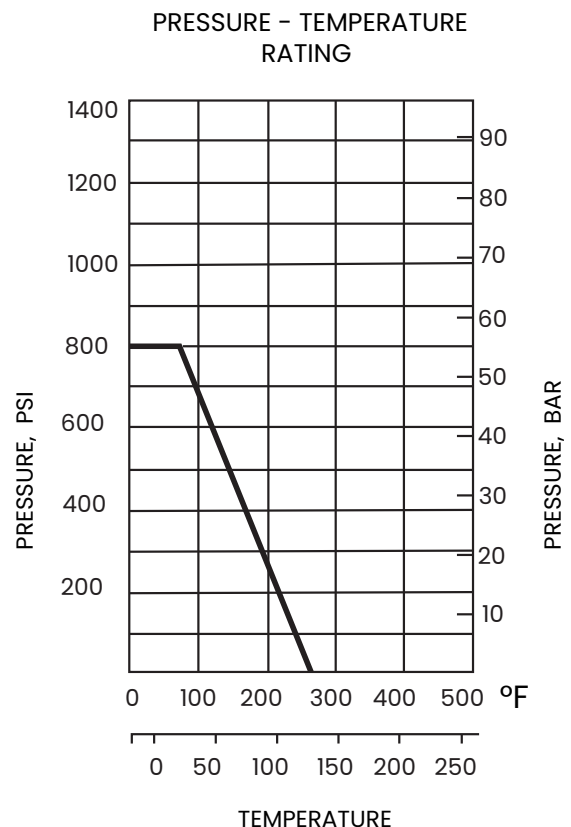
\*Consult a chemical compatibility expert for correct seal and valve body material choice.

## Valve Specification

Pipe Connection		Max Operating Pressure (psi)	Media Temperature (°F)	
Size (in)	Thread Connection		Min	Max
1/2 to 2	NPT Female	800	-4	356

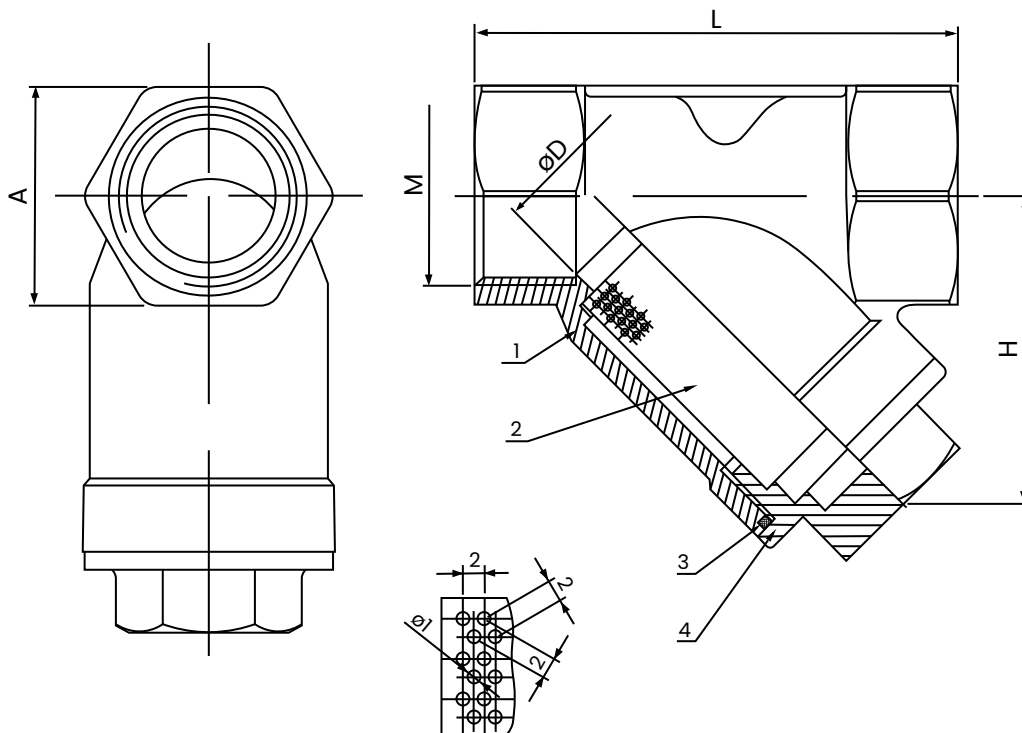
Note: Pressure ratings are for water, oil, and gas (WOG) service under non-shock conditions.

## Pressure-Temperature Rating



# Y (Wye) Strainer

Unidirectional | NPT Thread | 1/2" to 2"



## Dimension - Metric

Pipe Size (in)	Dimension (in)				Wt (lbs)
	D	L	H	A	
1/2	0.50	2.56	1.42	1.02	0.50
3/4	0.75	3.15	1.77	1.30	0.86
1	1.00	3.54	2.20	1.61	1.57
1-1/4	1.25	4.13	2.24	1.93	1.79
1-1/2	1.50	4.72	2.60	2.20	2.65
2	2.00	5.43	3.03	2.72	4.07

## Parts List

No.	Valve Parts	Material	Qty
1	Body	SS304	1
2	Screen	SS304	1
3	End Seal	PTFE	1
4	Bonnet	SS304	1

## Accessories



Blow-Out Kit for Y-Strainer

Accessory	SKU
Blow-Out Kit for 1/2" Y-Strainer	BO-YS15-KIT
Blow-Out Kit for 3/4" Y-Strainer	BO-YS20-KIT
Blow-Out Kit for 1" Y-Strainer	BO-YS25-KIT
Blow-Out Kit for 1-1/4" Y-Strainer	BO-YS32-KIT
Blow-Out Kit for 1-1/2" Y-Strainer	BO-YS40-KIT
Blow-Out Kit for 2" Y-Strainer	BO-YS50-KIT



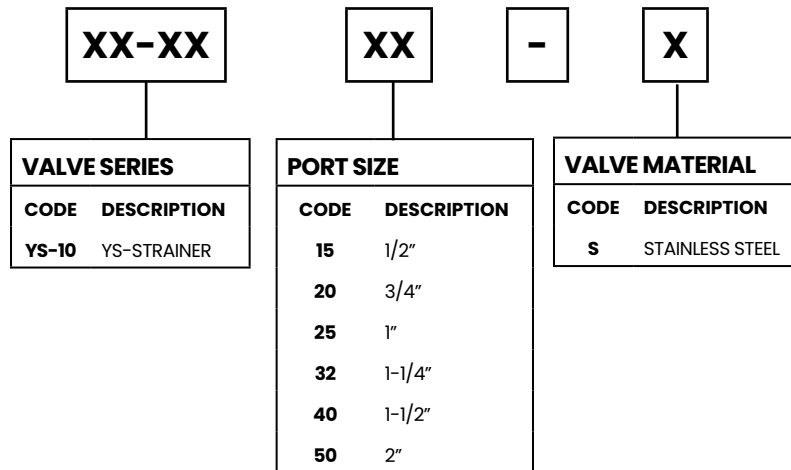
Stainless Steel Mesh Replacement Strainers

Accessory	SKU
50 Mesh (297 Microns)	MESH50-20
80 Mesh (177 Microns)	MESH80-20
150 Mesh (89 Microns)	MESH150-20

# Y (Wye) Strainer

Unidirectional | NPT Thread | 1/2" to 2"

## Product Ordering Code



**EXAMPLE:**  
**YS-1025-S** - Indicates a Y-Strainer, Stainless Steel, 1" port size.