

Swing Check Valve

Stainless Steel Body | 2-Way Configuration | 1/2" to 2"



Features

- Hinged disc design ensures smooth, low-resistance flow and reliable automatic closure during flow reversal
- Designed for reliable performance in demanding environments, with a wide operating temperature range
- Investment-cast construction using high-quality materials, manufactured in accordance with AD 2000-W0 requirements
- Tested to recognized industry standards to ensure dependable sealing performance and structural integrity
- Supplied with NPT threaded connections for secure, leak-tight installation and compatibility with standard piping systems
- Durable stainless steel construction suited for a wide range of compatible media including water, air, and fuel
- Ideal for pump discharge lines, water distribution systems, and process pipelines where reverse flow could cause operational or safety issues

Materials of Construction

Valve Parts	Material
Body	Stainless Steel 304
Components	Stainless Steel 304
Trim	Stainless Steel 304
Seal	PTFE

Consult a chemical compatibility expert for correct seal and valve body material choice

Industrial Applications

- Pump Discharge Lines (compatible media only)
- Boiler Feedwater and Condensate Systems (within temperature limits)
- Steam and Thermal Fluid Lines (non-critical and low to moderate pressure)
- Cooling Water and Circulation Systems
- Compressed Air and Gas Distribution Systems
- OEM Equipment and Skid-Mounted Process Systems
- General Industrial Piping Requiring Backflow Prevention
- Chemical Transfer Lines for mild to moderately corrosive media (compatible media only)
- Industrial Utility Water Systems
- Fire Protection and Sprinkler System Pipelines
- Irrigation and Garden Watering Systems
- Building Water Supply and Booster Systems

*These are not intended for use in medical life support, combustion, aviation, aerospace, automotive or similar applications.

Approvals

- PED 2014/68/EU
- Casting approved AD2000-W0
- Inspection testing: API 598, EN12266-1

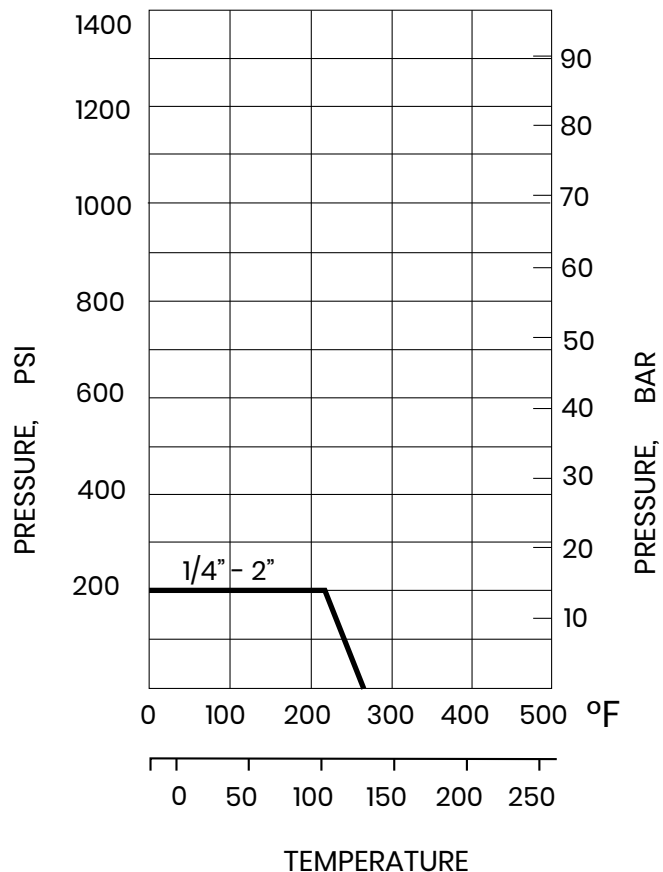
Valve Specification

Pipe Connection		Maximum Operating Pressure	Media Temperature (°F)	
Size (in)	Thread Connection		Min	Max
1/2 to 2	NPT	200 WOG	-4	356

Note: Pressure ratings are for water, oil, and gas (WOG) service under non-shock conditions

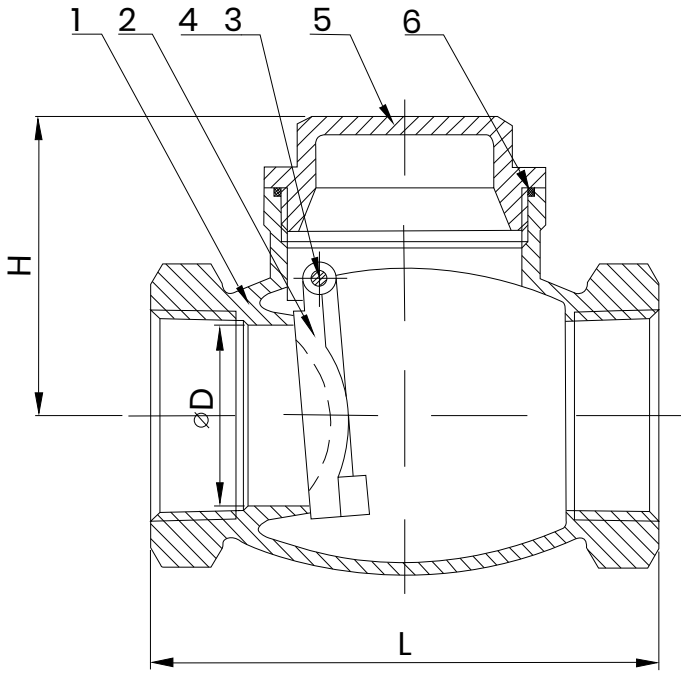
Pressure - Temperature Rating

PRESSURE - TEMPERATURE RATING



Swing Check Valve

Stainless Steel Body | 2-Way Configuration | 1/2" to 2"



Bill of Materials

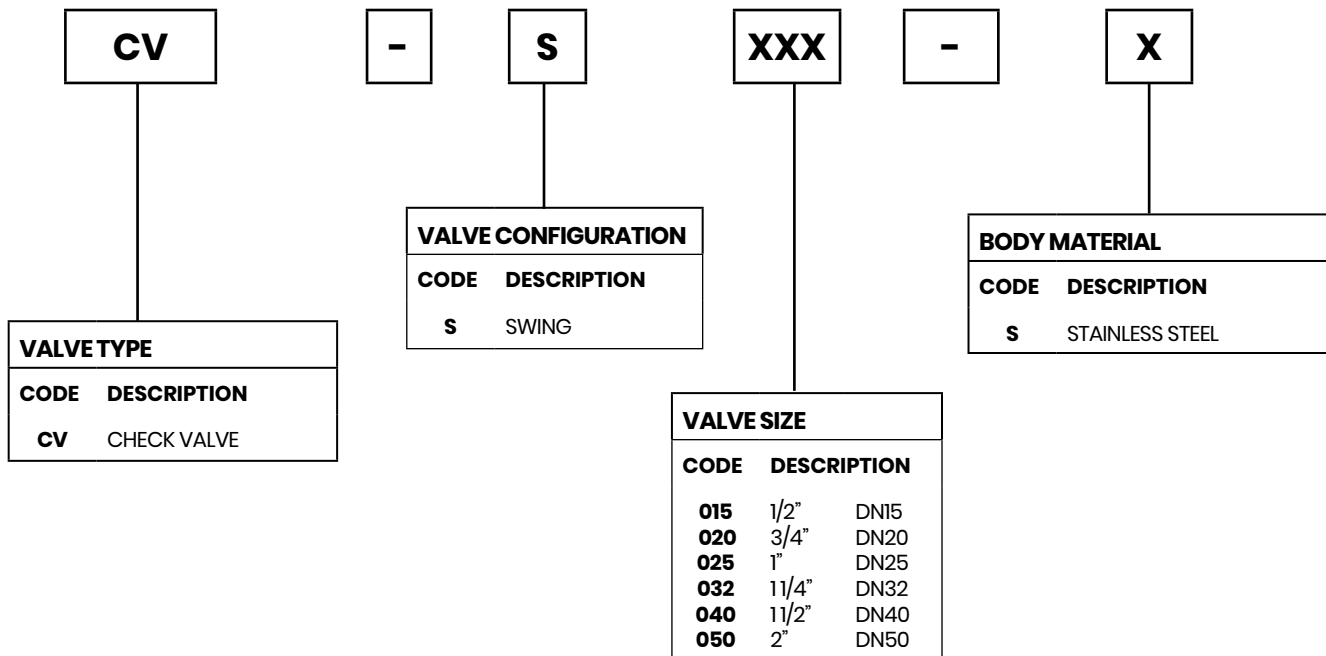
No.	Valve Parts	Material	Qty
1	Body	Stainless Steel 304	1
2	Disc	Stainless Steel 304	1
3	Hanger Pin	Stainless Steel 304	1
4	Plug Gasket	PTFE	1
5	Bonnet	Stainless Steel 304	1
6	Gasket	PTFE	1

Dimension

Pipe Size (in)	Dimension (in)			Weight (lb)
	H	L	øD	
1/2	1.69	2.56	0.50	0.65
3/4	2.09	3.15	0.75	1.09
1	2.36	3.54	1.00	1.65
1 1/4	2.36	4.13	1.25	2.50
1 1/2	2.95	4.72	1.50	3.19
2	3.11	5.51	2.00	5.05

- (1) Weight and dimension may vary slightly from production
- (2) Dimension shown are nominal and provided for reference only
- (3) Dimension tolerance: ± 5% unless otherwise specified

Product Ordering Code



EXAMPLE:
CV-S020-S indicates a swing check valve, 3/4" NPT, stainless steel body