

Anti-Corrosive Solenoid Valve

UPVC Body | 2-Way Pilot Operated | 1/2" to 2"



Features

- Provides reliable on/off control for mildly to moderately corrosive liquids and gases
- Fast response time for precise and efficient fluid control
- Pilot-operated design enables reliable performance in applications with higher flow demand and adequate system pressure
- Can be mounted in vertical or horizontal orientation for flexible installation
- Suitable for high flow rate applications in chemical dosing and fluid handling systems
- Equipped with Viton seal to enhance sealing performance and chemical compatibility for a wide range of industrial fluids
- UPVC valve body and wetted components provide excellent resistance to many chemical, chlorine, and saltwater applications
- Durable construction ensures long service life under frequent switching conditions

Materials of Construction

Valve Parts	Material
Body	UPVC
Components	Stainless Steel
Seal	Viton®
Shading Ring	Copper

*Consult a chemical compatibility expert for correct seal and valve body material choice.
 **Chemical compatibility of UPVC and Viton with the process media must be reviewed prior to selection

Industrial Applications

- Cooling Tower Water Control with Minor Chemical Additives
- Water Treatment and Filtration System for Chlorine-Treated Water
- Chemical Dosing and Injection Systems for Low-Concentration Chemicals
- Reverse Osmosis System for Pre-treated Water Lines
- Industrial Cleaning and Washdown Systems (mild chemical agents only)
- Garden and Landscaping Irrigation
- Chlorine Injection and Feed Systems
- Saltwater Circulation and Distribution Lines
- Recirculation Loops for Process Fluids
- Rinse Water Loops in Light Manufacturing (for mildly acidic or alkaline water only)
- Plating Rinse Water Systems (non-aggressive)
- Boiler Feed Water Lines

*These are not intended for use in medical life support, combustion, aviation, aerospace, automotive or similar applications
 **Avoid highly concentrated acids, strong oxidizers, or highly abrasive chemicals. These valves are for mild to moderately corrosive fluids only

Approvals

- RoHS compliant in accordance with Directive 2011/65/EU

Electrical Data

Pipe Size (in)	Power Rating (Holding)			Coil Connection	Coil Class	Protection Class
	AC, 60 Hz VA		DC Watts			
	110V	220V	24V			
1/2	8	8	7	DIN 43650A	H	IP 65
3/4	8	8	7			
1	8	8	7			
1 1/2	7	9	8			
2	7	9	8			

- (1) Valves are designed to be normally closed (NC)
- (2) Valves are suitable for continuous energization (100% duty cycle) within rated voltage and ambient temperature limits
- (3) AC power ratings shown represent steady state (Holding) VA at rated voltage, 50/60 Hz, and 40 °C (104 °F) ambient temperature
- (4) Electrical values are nominal with a tolerance of ±10 % unless otherwise specified

Specifications

Pipe Connection		Orifice (mm)	Flow Coefficient Value Cv	Flow Rate GPM @60 PSI	Operating Pressure (psi)			Operating Temperature (°F)	
Size (in)	Thread Connection				Min	Max		Min	Max
1/2	NPT - Female	15.0	4.8	37.0	0	4.5	85.0	25	140
3/4	NPT - Female	20.0	7.6	59.0	0	4.5	85.0	25	140
1	NPT - Female	25.0	11.0	85.0	0	4.5	85.0	25	140
1 1/2	NPT - Female	40.0	29.0	224.0	0	4.5	85.0	25	140
2	NPT - Female	50.0	45.0	350.0	0	4.5	85.0	25	140

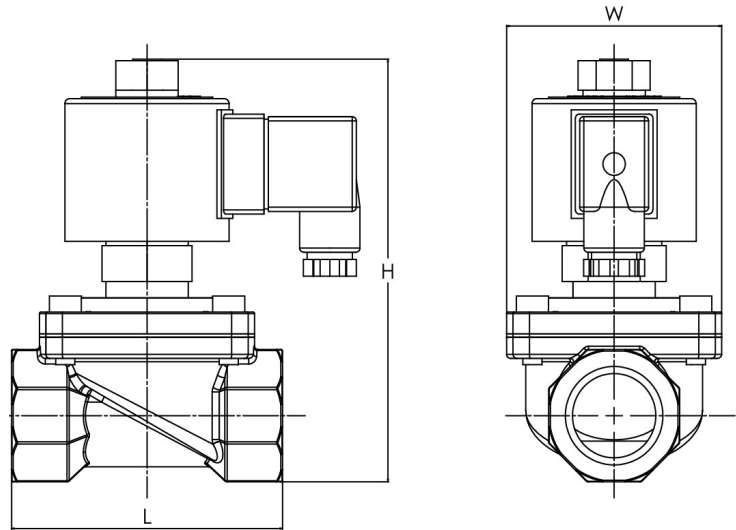
*Valves are designed to be normally closed (NC)

Anti-Corrosive Solenoid Valve

UPVC Body | 2-Way Pilot Operated | 1/2" to 2"

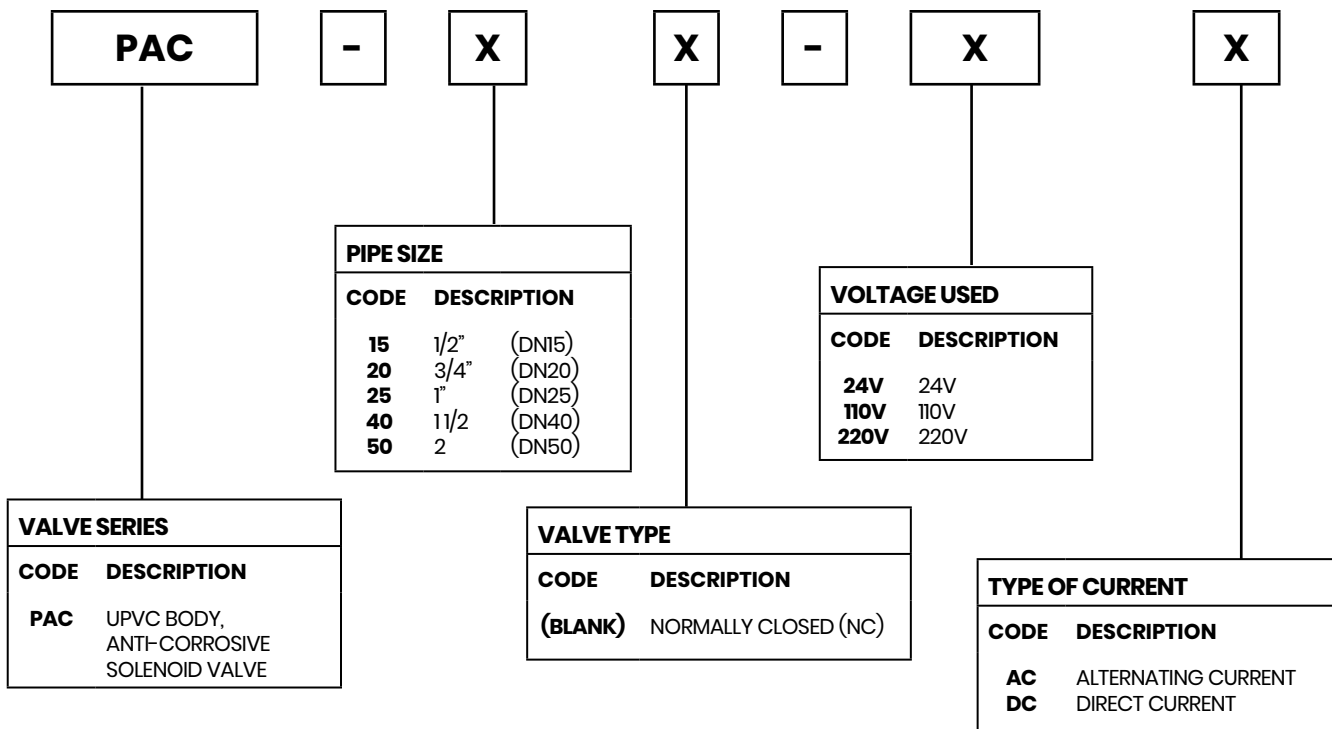
Dimension

Pipe Size (in)	Dimension (in)			Weight (lb)
	H	L	W	
NORMALLY CLOSED (NC)				
1/2	5.12	3.10	1.77	2.43
3/4	5.31	3.10	1.77	2.43
1	5.71	3.86	2.87	2.65
1 1/2	6.69	5.43	3.74	3.31
2	8.66	7.00	5.83	5.73



- (1) Weight and dimension may vary slightly from production
- (2) Dimension shown are nominal and provided for reference only
- (3) Dimension tolerance: ± 5% unless otherwise specified
- (4) H = Overall Height, L = Port to Port Length, W = Width

Product Ordering Code



EXAMPLE:

PAC-20-110VAC indicates a UPVC body, anti-corrosive solenoid valve, PAC series, 3/4" NPT-Female, normally closed configuration with 110V AC coil