

# Anti-Corrosive Solenoid Valve

PTFE Body | 2-Way Direct Acting | 3/8" to 1"



## Features

- Provides reliable on/off control of corrosive liquids and gases
- Fast response time for precise and efficient fluid control
- Direct acting design allows operation under low or zero differential pressure, suitable for gravity fed systems
- Can be mounted in vertical or horizontal orientation for flexible installation
- Compact valve body design suitable for installations with limited space
- Suitable for moderate flow rate applications in chemical dosing and fluid handling systems
- Equipped with Viton seal to enhance sealing performance and chemical compatibility for a wide range of industrial fluids
- PTFE valve body and wetted components provide excellent resistance to many acids, alkalis, and corrosive chemicals
- Durable construction ensures long service life under frequent switching conditions
- Designed for reliable shutoff in corrosive process lines

## Materials of Construction

Valve Parts	Material
Body	PTFE
Components	PTFE
Seal	Viton®
Shading Ring	Copper

\*Consult a chemical compatibility expert for correct seal and valve body material choice.  
 \*\*Chemical compatibility of PTFE and Viton with the process media must be reviewed prior to selection

## Industrial Applications

- Chemical Dosing and Injection Systems
- Acid and Alkali Transfer Lines in Chemical Processing Plants
- Chemical Transfer and Distribution Systems
- Laboratory Testing and Fluid Control Systems
- Water and Wastewater Treatment
- Industrial Cleaning and Washdown Systems Using Corrosive Chemicals
- Surface Treatment and Electroplating Lines
- Process water and utility distribution systems
- Effluent Neutralization and Chemical Treatment Systems
- Commercial Kitchens and Food Processing Equipment (non sanitary applications)
- Sodium Hypochlorite and Bleaching Chemical Dosing systems
- Printed Circuit Board (PCB) Chemical Etching and Rinsing Systems
- Battery Manufacturing Electrolyte Handling Systems
- Acid Pickling and Metal Surface Treatment Processes
- Aquaculture Water Treatment and Circulation Systems

\*These are not intended for use in medical life support, combustion, aviation, aerospace, automotive or similar applications

## Approvals

- RoHS compliant in accordance with Directive 2011/65/EU

## Electrical Data

Pipe Size (in)	Power Rating (Holding)			Coil Connection	Coil Class	Protection Class
	AC, 60 Hz VA		DC Watts			
	110V	220V	24V			
3/8	7	9	8	DIN 43650A	H	IP 65
1/2	7	9	8			
3/4	7	9	8			
1	7	9	8			

- (1) Valves are designed to be normally closed (NC)
- (2) Valves are suitable for continuous energization (100% duty cycle) within rated voltage and ambient temperature limits
- (3) AC power ratings shown represent steady state (Holding) VA at rated voltage, 50/60 Hz, and 40 °C (104 °F) ambient temperature
- (4) Electrical values are nominal with a tolerance of ±10 % unless otherwise specified

## Specifications

Pipe Connection		Orifice (mm)	Flow Coefficient Value Cv	Flow Rate GPM @15 PSI	Operating Pressure (psi)			Operating Temperature (°F)	
Size (in)	Thread Connection				Min	Max		Min	Max
3/8	NPT - Female	11.0	3.30	12.0	0	29	29	15	175
1/2	NPT - Female	11.0	3.30	12.0	0	29	29	15	175
3/4	NPT - Female	11.0	3.30	12.0	0	14.5	14.5	15	175
1	NPT - Female	11.0	3.30	12.0	0	14.5	14.5	15	175

\*Valves are designed to be normally closed (NC)

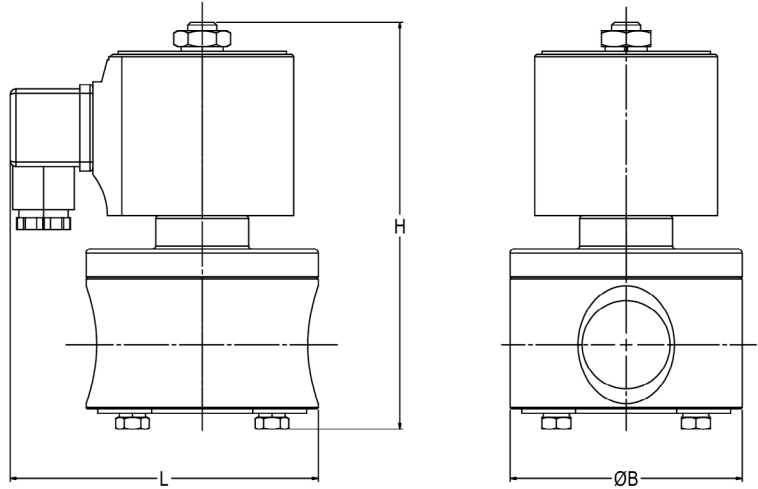
# Anti-Corrosive Solenoid Valve

PTFE Body | 2-Way Direct Acting | 3/8" to 1"

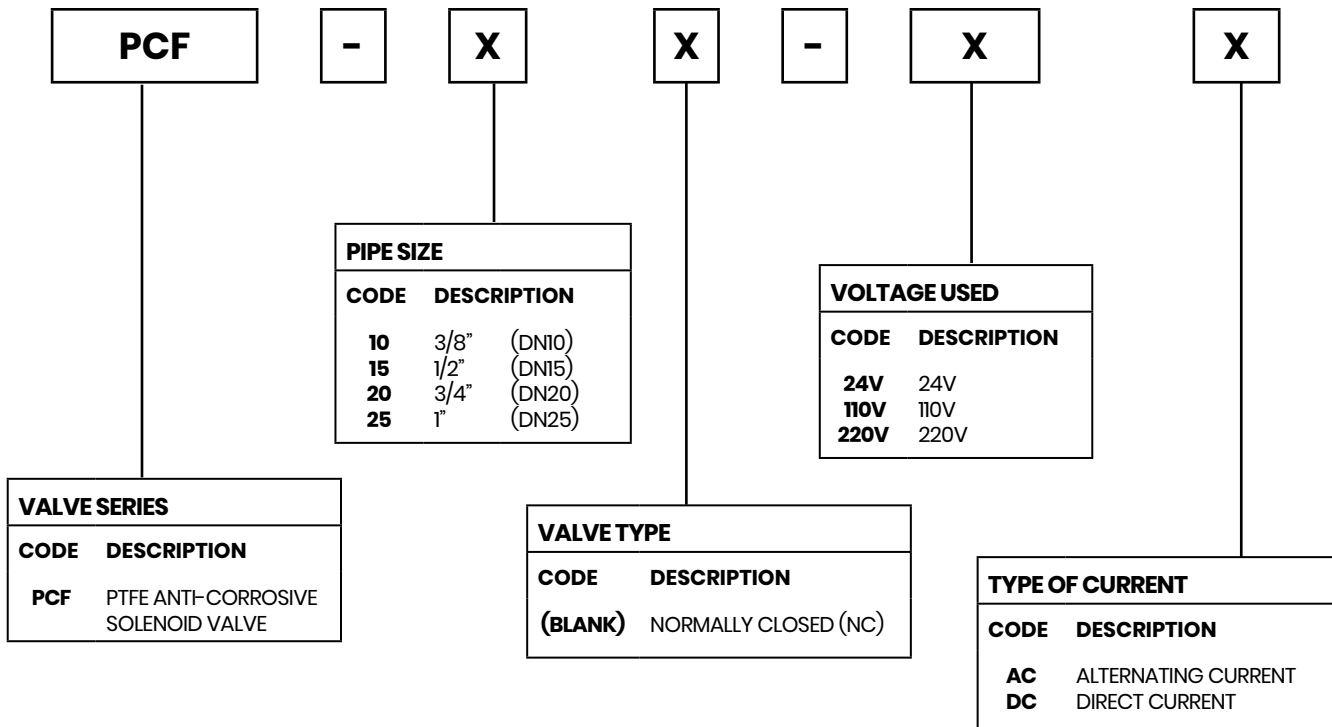
## Dimension

Pipe Size (in)	Dimension (in)			Weight (lb)
	H	L	øB	
<b>NORMALLY CLOSED (NC)</b>				
3/8	4.92	4.00	2.72	3.53
1/2	4.92	4.00	2.72	3.53
3/4	5.31	4.06	2.83	3.97
1	5.91	4.06	2.83	3.97

- (1) Weight and dimension may vary slightly from production
- (2) Dimension shown are nominal and provided for reference only
- (3) Dimension tolerance: ± 5% unless otherwise specified
- (4) H = Overall Height, L = Port to Port Length, øB = Body Diameter



## Product Ordering Code



### EXAMPLE:

**PCF-20-110VAC** indicates a PTFE body, anti-corrosive solenoid valve, PCF series, 3/4" NPT-Female, normally closed configuration with 110V AC coil